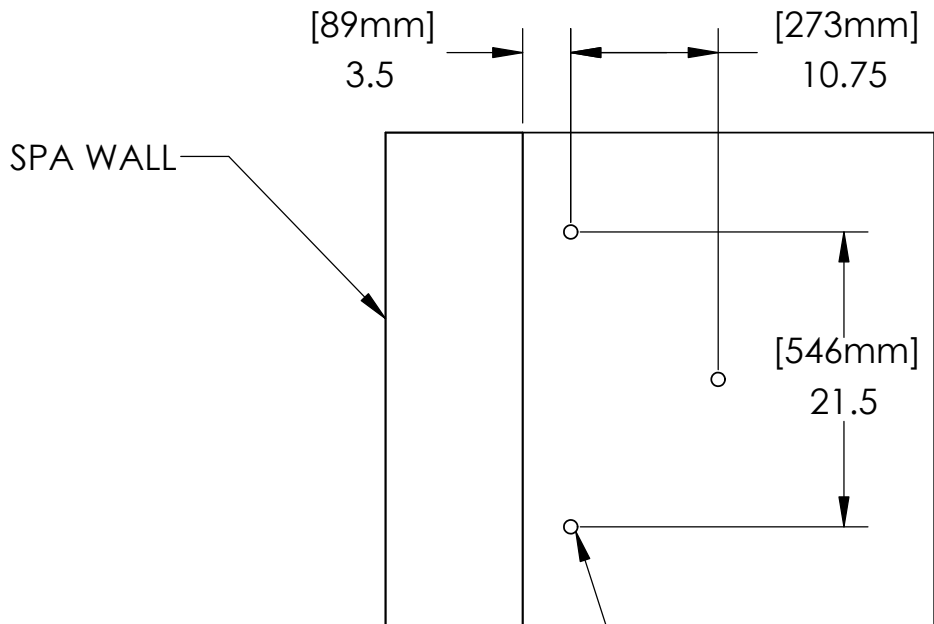
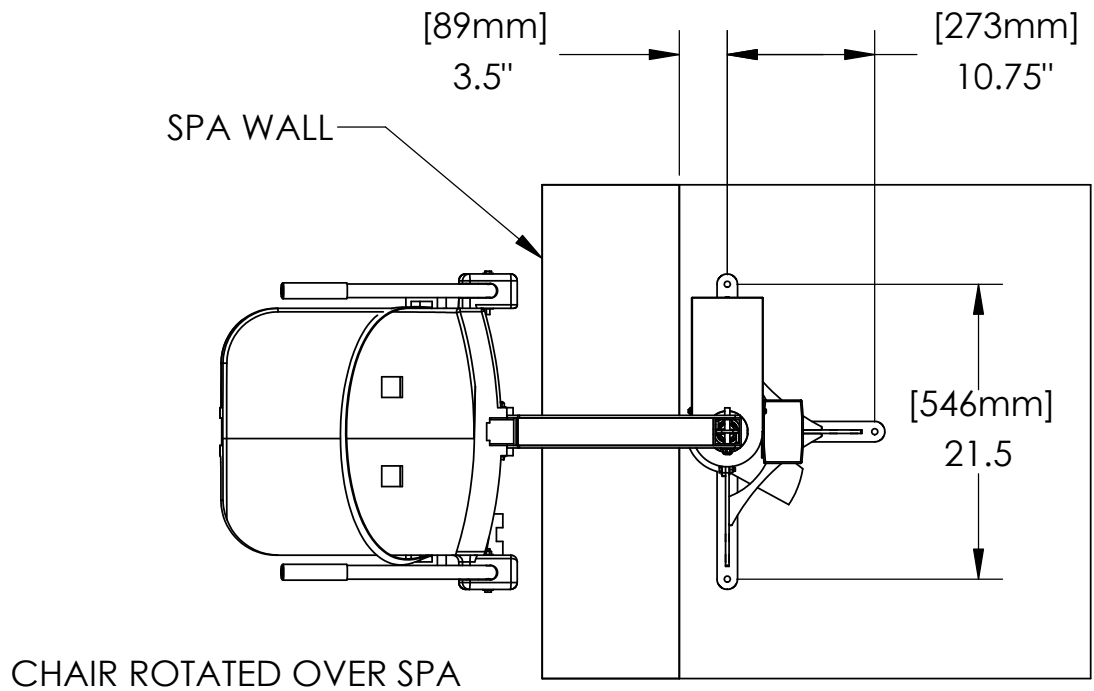


SPA LIFT™ & PRO SPA LIFT™ - ANCHOR DETAIL



Ø 1" [25.4mm] X 4" [101mm]
ANCHOR (TYP 3 PLACES)

3015 W. RAILROAD ST. #8
MISSOULA, MT 59808
(406) 549-0769
FAX (406) 549-2602

NOTE:
*SPECIFICATIONS ARE SUBJECT TO CHANGE WITHOUT NOTICE
*ALL DIMENSIONS ARE IN INCHES



PRODUCT: SPA & PRO SPA ANCHOR DET.	
DWG #: ANCHOR-DET1	
SCALE: 1:14	DATE: 06/05/07
DRAWN BY: DS	REVISION: B