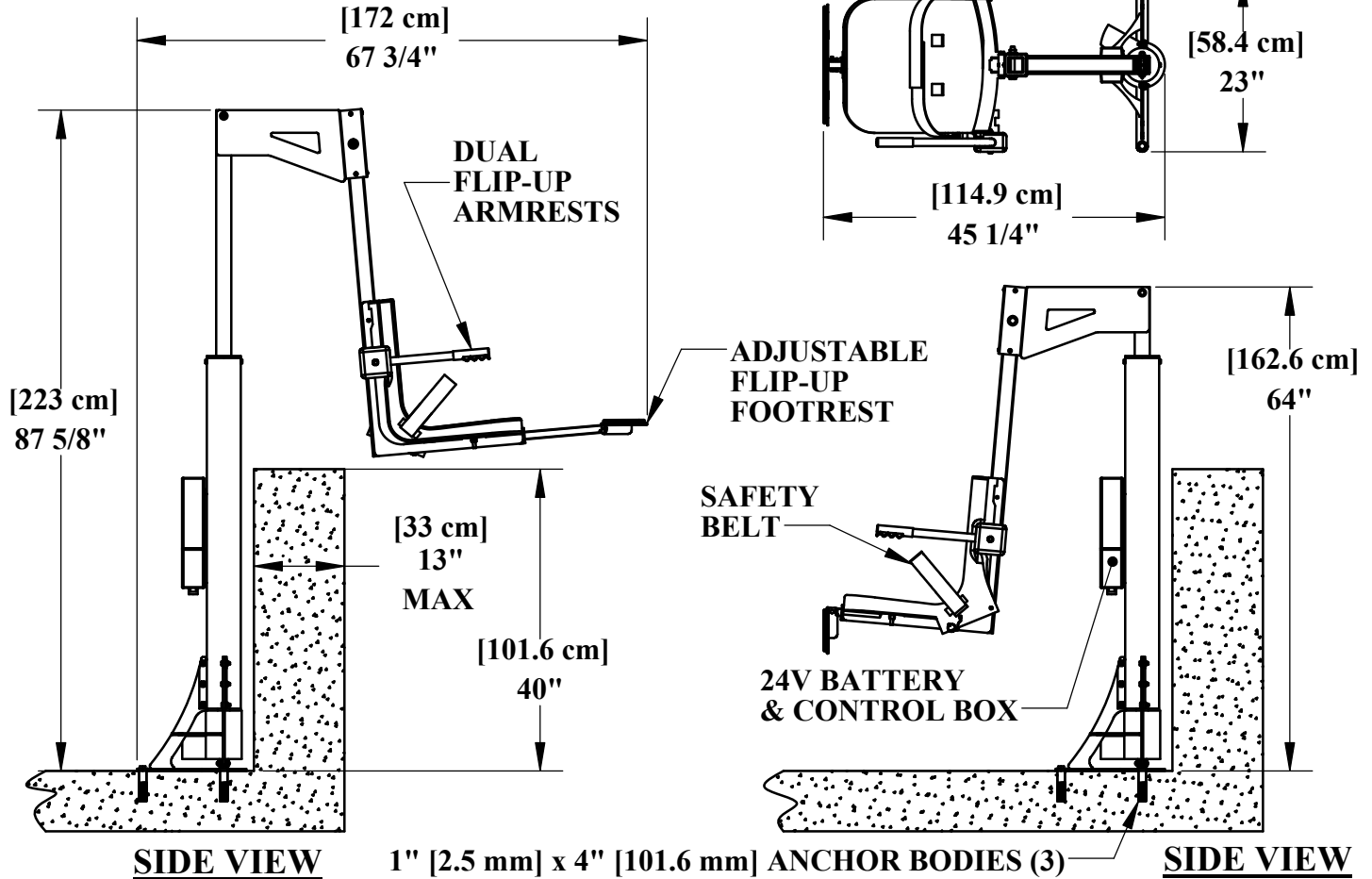


THE SPA LIFT™

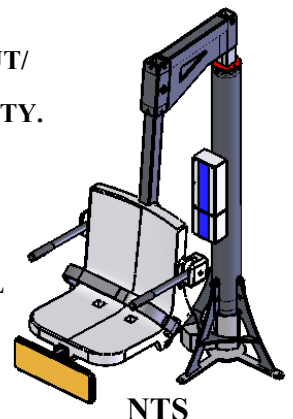
TOP VIEW



SPECIFICATIONS

THE AQUA CREEK SPA LIFT™ SHALL BE A 24-VOLT, ELECTRICALLY ACTUATED LIFT DESIGNED FOR ABOVE GROUND HOT TUBS, SPAS OR POOLS. THE LIFT SHALL BE POWERED BY A 24-VOLT RECHARGABLE BATTERY CAPABLE OF BEING REMOVED FROM THE LIFT FOR CHARGING PURPOSES. THE LIFT STRUCTURE SHALL BE MANUFACTURED OF TYPE 304 STAINLESS STEEL WITH A PROTECTIVE EPOXY POWDER COATING. THE LIFT SHALL BE DESIGNED TO PROVIDE A LIFTING CAPACITY OF 400 LBS (181 kgs). THE LIFT SHALL BE CAPABLE OF CLEARING A 40" (101.6 cm) HIGH BY 14" (35.6 cm) WIDE WALL. THE LIFT SHALL BE MOUNTED TO THE DECK AT THREE ANCHOR POINTS UTILIZING 1" (2.5 cm) THREADED ANCHORS. THE LIFT SHALL BE DESIGNED TO PROVIDE POWERED UP AND DOWN OPERATION AND SHALL PROVIDE FOR 360° MANUAL ROTATION IN EITHER DIRECTION. THE SPA LIFT™ SHALL INCLUDE AN ADJUSTABLE SAFETY BELT, PULL-OUT/FLIP-UP FOOTREST AND DUAL FLIP-UP ARMRESTS. THE LIFT SHALL BE BACKED BY A 5-YEAR STRUCTURAL WARRANTY AND A 5-YEAR PRO-RATED ELECTRONICS WARRANTY.

BATTERY: 24-VOLT RECHARGABLE BATTERY PACK
 MAIN STRUCTURE: 4" (102 mm) TYPE 304 STAINLESS STEEL
 CHAIR ARM: 2" (51 mm) TYPE 304 STAINLESS STEEL
 ANCHORS: 1" (25 mm) x 4" (102 mm) THREADED ANCHORS, TYPE 304 STAINLESS STEEL
 FINISH: UV RESISTANT EPOXY POWDER COATING



3015 W. RAILROAD ST. #8
 MISSOULA, MT 59808
 (406) 549-0769
 FAX (406) 549-2602

NOTE:
 *SPECIFICATIONS ARE SUBJECT TO CHANGE WITHOUT NOTICE
 *ALL DIMENSIONS ARE IN INCHES



| | | |
|-----------|------------|----------------|
| PRODUCT: | F-005SLB | |
| DWG #: | F-005SLB-1 | |
| SCALE: | 1:24 | DATE: 12/17/07 |
| DRAWN BY: | DS | REVISION: E |